

ERF6010, RF connector, SMA Female RP, PCB End Launch

Features

Mechanical Properties

Parameter:	Description
Connector Type:	PCB end launch SMA Female Reversed Polarity
Dimensions:	14.27 x 9.52 x 7.92 mm ± 0.1
Operating Temperature Range:	-20°C~+65°C
Storage Temperature Range:	-20°C~+65°C



Typical applications

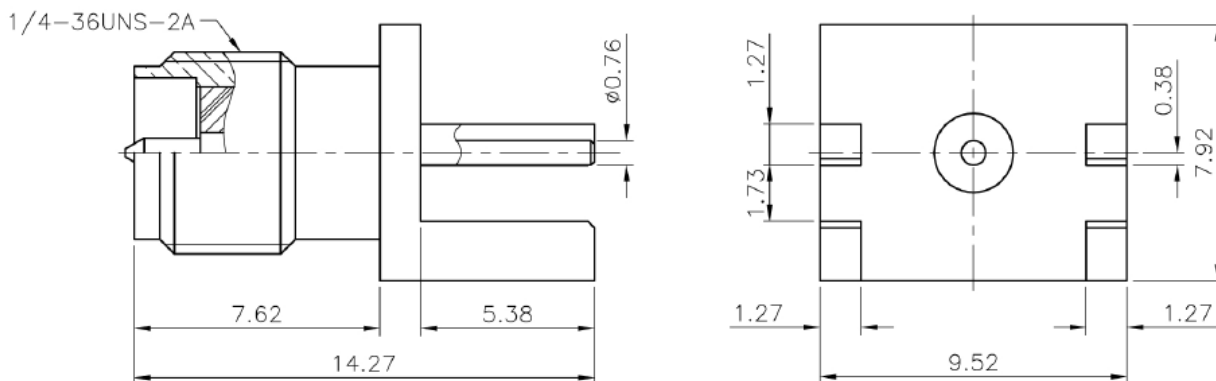
- RF connections
- Antenna connector
- Antenna cable connector

Description

The ERF6010 is a RF connector suitable for RF applications. the connector has a SMA Female RP connector and can be mounted on the side of a PCB. It can be used for RF connections as an antenna connector and as the antenna cable connector.

Dimensions

*unit: mm

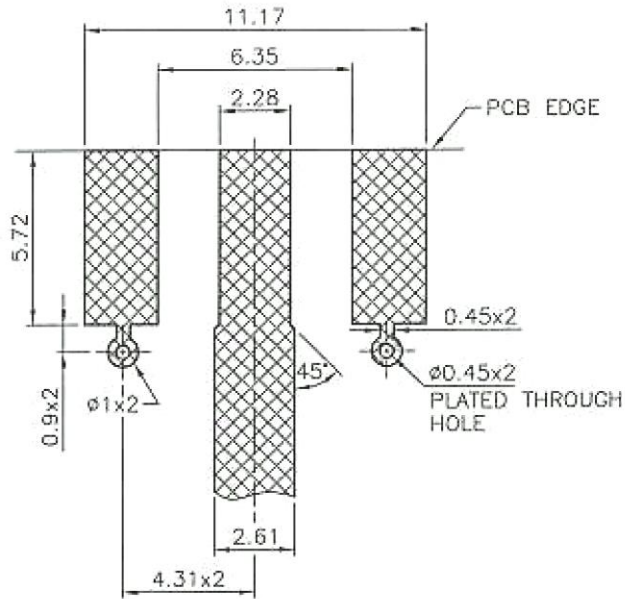


Notes: Finish (Plating Thickness in micro-inches)

- 1 Brass per QQ-B-626
- 2 Gold PL 3 min Thick over Nickel PL 70 min Thick over copper strike
- 3 Gold PL 30 min Thick over Nickel PL 70 min Thick over Copper strike
- 4 Teflon MIL-P-19468

ERF6010, RF connector, SMA Female RP, PCB End Launch**PCB Footprint**

*unit: mm



PCB Thickness: 1.57mm

Material: Double-Sided FR4 with 1 oz. copper.

Ordering information

Ordering can be done via www.summit-electronics.com or via info@summit-electronics.com. Please contact us for more information. Customisation of the product is available on request.

Technical support

For all product questions please contact us via info@summit-electronics.com